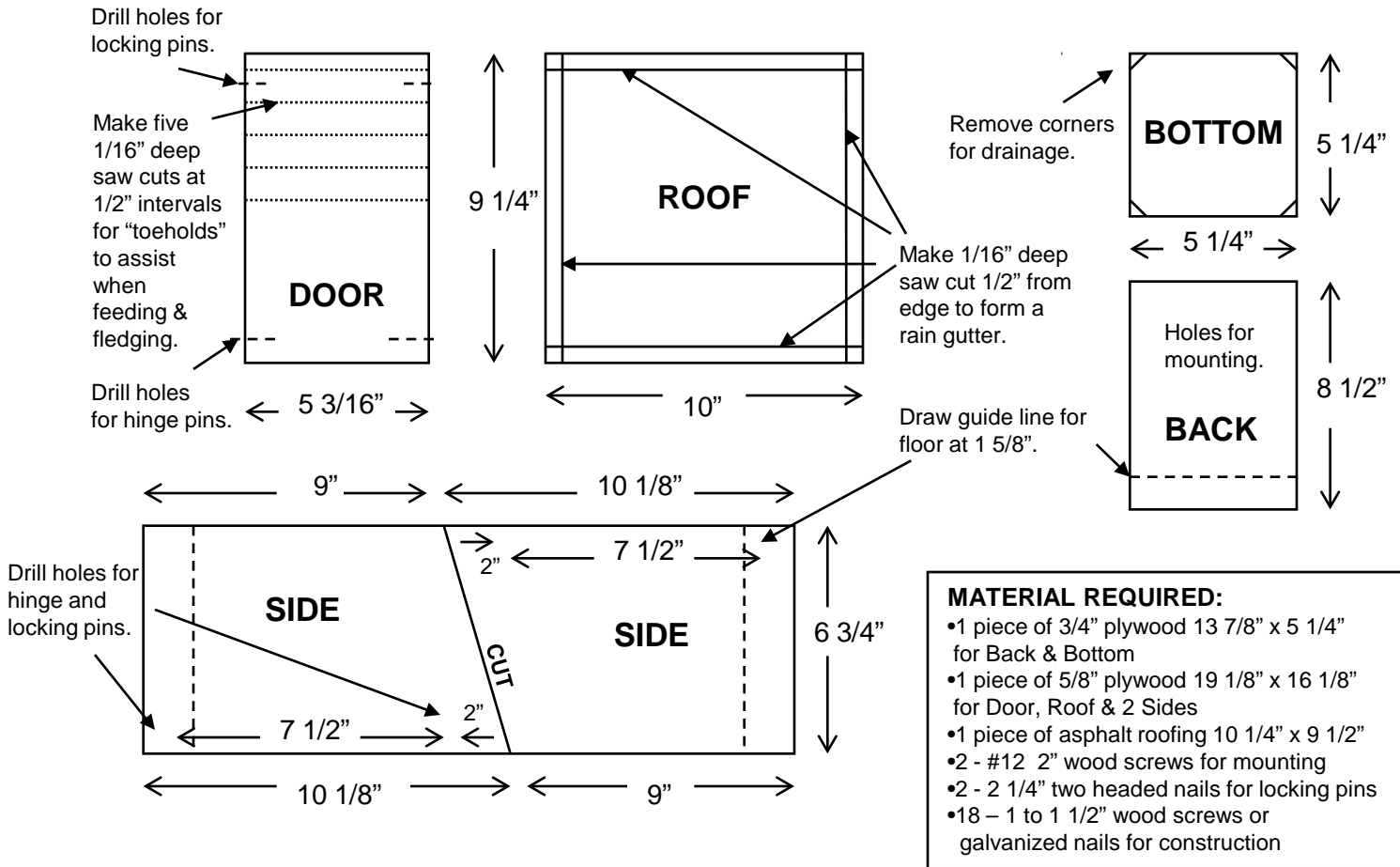


# THE JOHNSON SLOT NESTBOX FOR BLUEBIRDS



## INSTRUCTIONS:

- Cut roof, sides and door from 5/8" plywood. Cut back and bottom from 3/4" plywood.
- Cut the corners off the bottom to allow good drainage and assist in ventilation.
- On the outside of the sides and back, draw a guide line 1 5/8" from the bottom.
- Attach the sides to the back. The bottom ends of the sides and back **must** be even.
- Install the bottom. Your guide lines indicate the top of the floor.
- On the roof piece make a rain gutter by making 1/16" deep saw cuts in 1/2" from the edges. (see Roof diagram)
- Attach roof leaving a 1" overhang at the back and equal overhang on the two sides. There will be a gap of approximately 3/8" between the top of the back and the underside of the roof for ventilation.
- Optional - Cover roof with square of 90lb rolled roofing or shingle material to extend the life of the nestbox. lighter colors work best as you want to reflect the heat and sunlight to help keep the box from overheating.
- The door is installed last.
  - On the inside of the door make saw cuts 1/16" deep and spaced 1/2" apart. (See Door diagram.)
  - Slightly round the top of the door at the slot opening.
  - Set the door so the **slot opening is 1 3/16"** from the inside of the roof to the top edge of the door. Drill holes into the door at the locking pin and hinge holes. (If too large a slot is left, undesirable birds such as starlings may gain access. The 1 3/16" allows for both Western or Mountain Bluebirds to enter.)

NOTE: if 3/4" plywood is too expensive, you may use 5/8" for all pieces. Caution – your method of mounting the nestbox must be considered as the back will not be as strong and you may need to repair boxes more often.

## SOUTHERN INTERIOR BLUEBIRD TRAIL SOCIETY

BOX 494 OLIVER BC V0H 1T0 [www.bcbluebirds.org](http://www.bcbluebirds.org)  
 An Affiliate & Life Member of the North American Bluebird Society