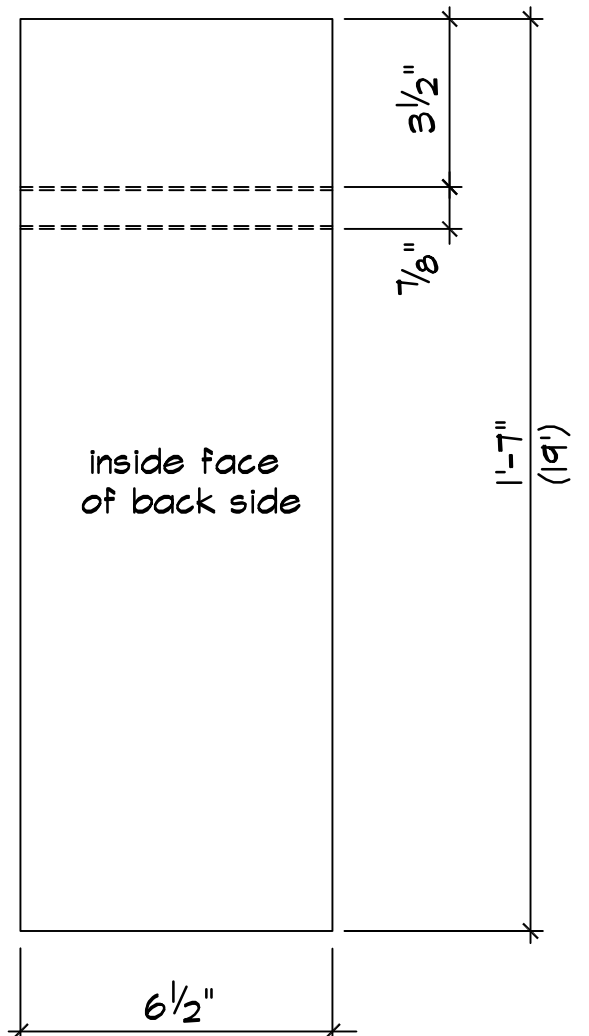
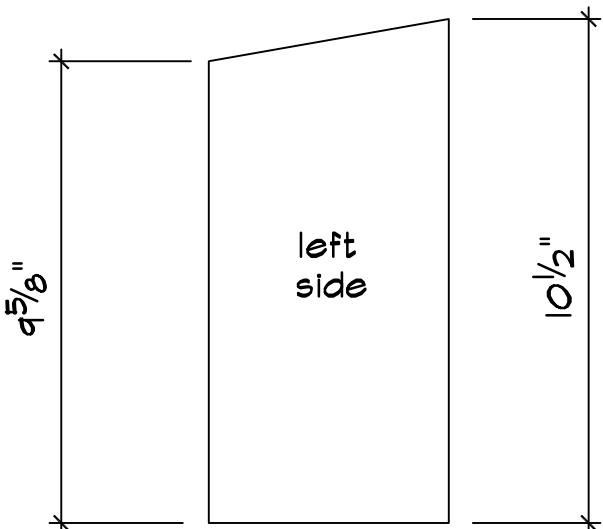
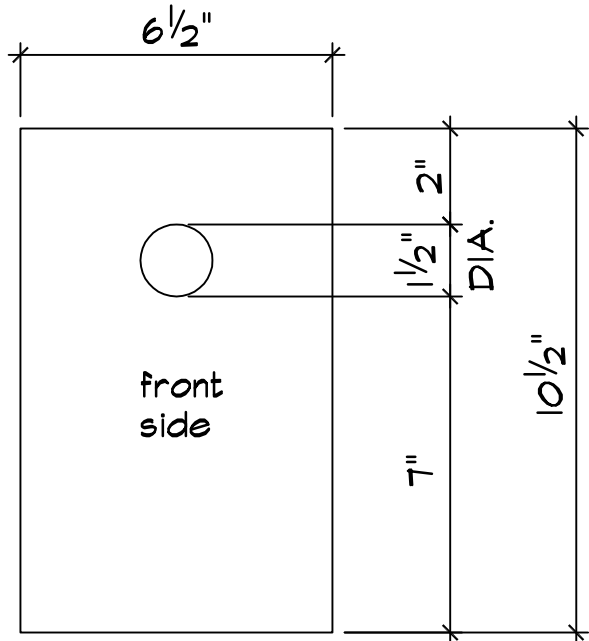
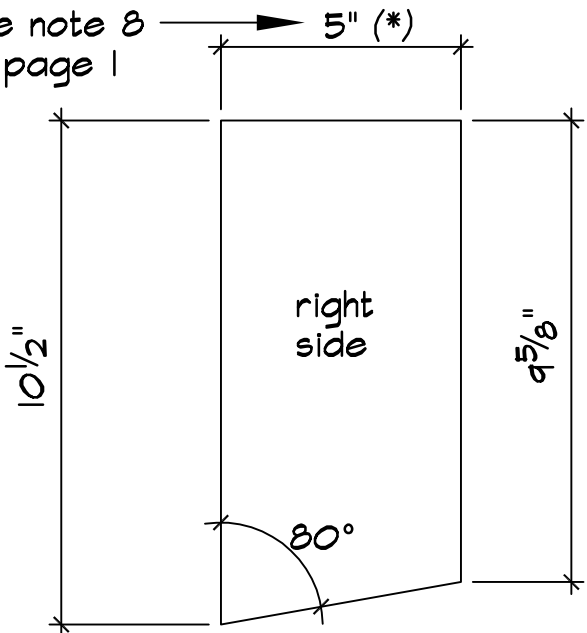


- NOTES:**
1. Start with  $\frac{3}{4}$ " thick cedar or redwood or other weather resistant wood
  2. Cut pieces to dimensions noted. Mark all holes and lines per plan.
  3. Pre-drill ALL nail holes to prevent splitting the boards.
  4. Paint all exterior surfaces with light paint: white, tan or light green. Allow it to dry completely. Be sure to paint all joints liberally to seal it.
  5. DO NOT paint inside surfaces of the box.
  6. Use 6d box nails and brad nails as shown for the door. Pre-drill holes in the side piece slightly larger in diameter of the nail to allow for movement of the door.
  7. In lieu of brad nails, deck screw of same length and small diameter can be used.
  - \*8. Whichever side piece will be the door, cut it approximately  $\frac{1}{8}$ " less in width to allow for it to open freely after it is painted.
  9. Where roof is slotted into the back piece, apply a waterproof sealant in the joint before inserting the roof.
  10. Use a three quarter diameter ( $\frac{3}{4}$ ") router bit to create the slot for the roof. Or run the saw blade several times through the width of the board.
  11. Though not required but recommended for assembly: use WOOD GLUE (Elmers or Gorilla brands) to provide durability and longevity of the box. Apply to all connections.

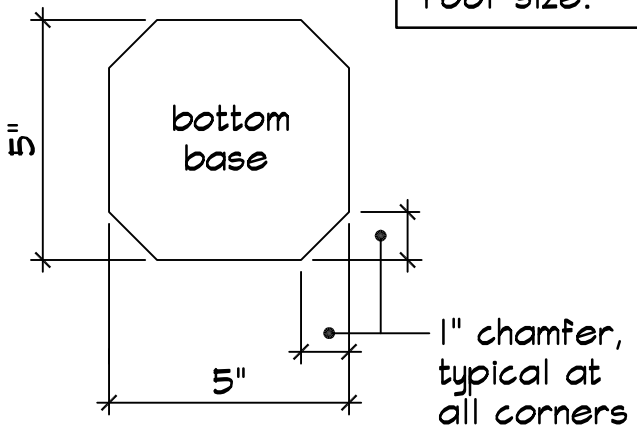


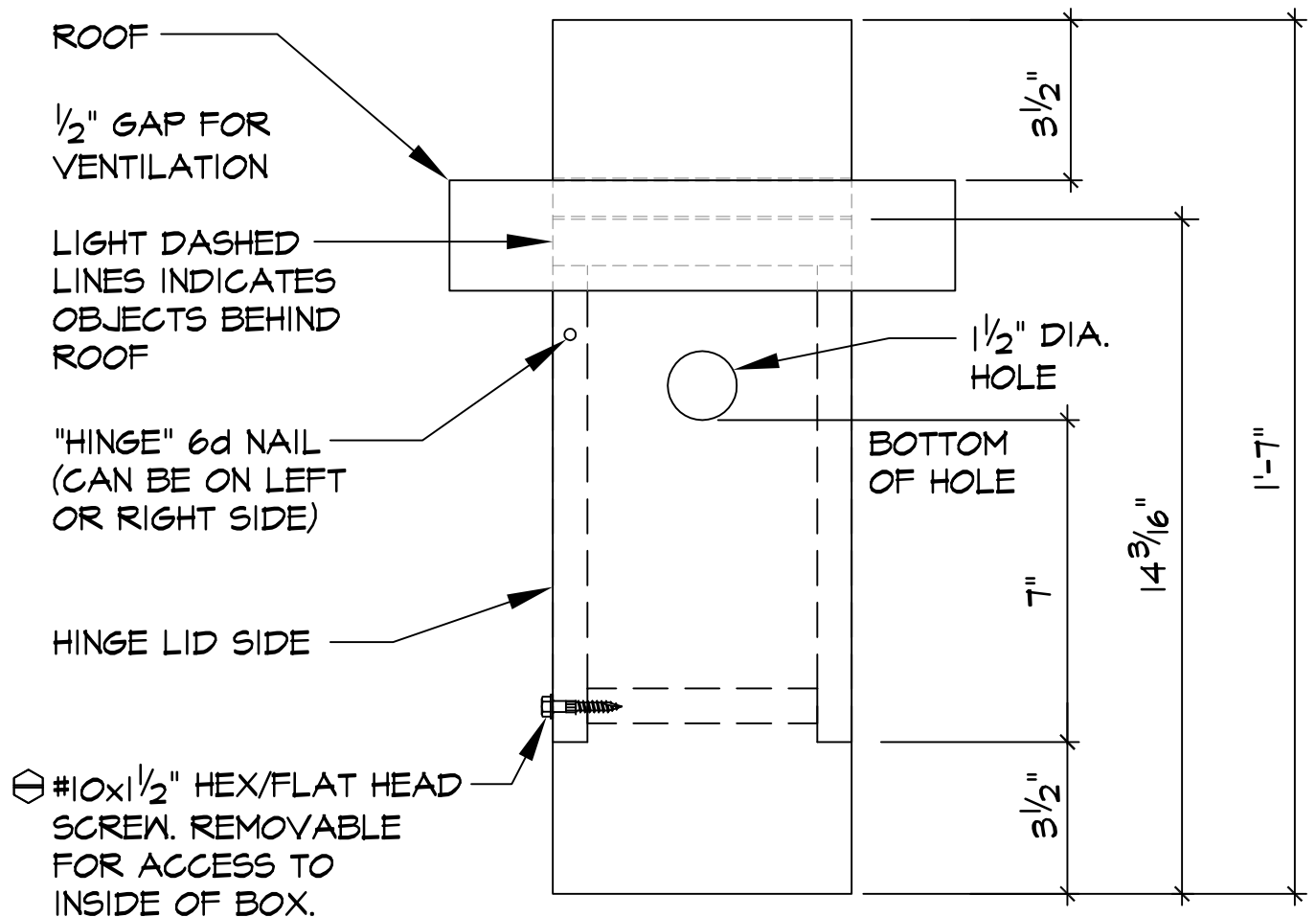
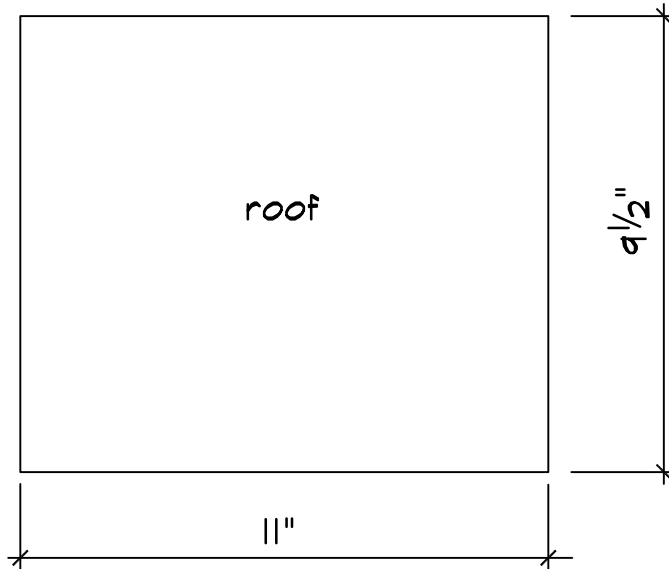
- A. 6d box nails are used as hinges for the door. Pre-drill holes in the sides of the door and the side piece it will go into.
- B. The holes in the door to be drilled large enough so that the door swings freely.
- C. The holes into the side piece to be slightly smaller than the nail diameter.
- D. Use minimum of two (2) brad nails from the back piece and front piece into the side pieces. And two brad nails from the roof into the front piece (with entry hole).
- E. Use minimum of four (4) brad nails back and front pieces into the side pieces.

see note 8  
on page 1

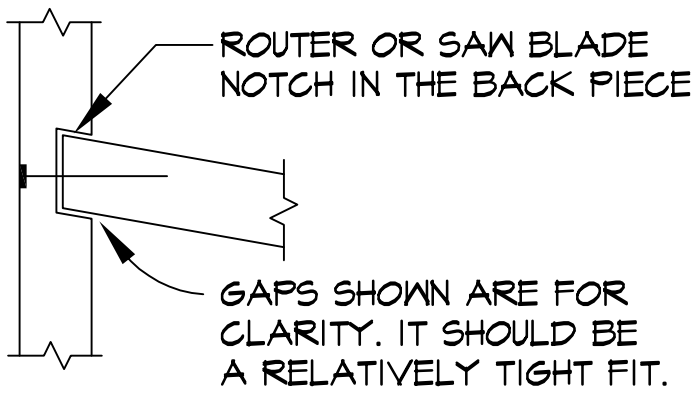


See sheet 2  
roof size.

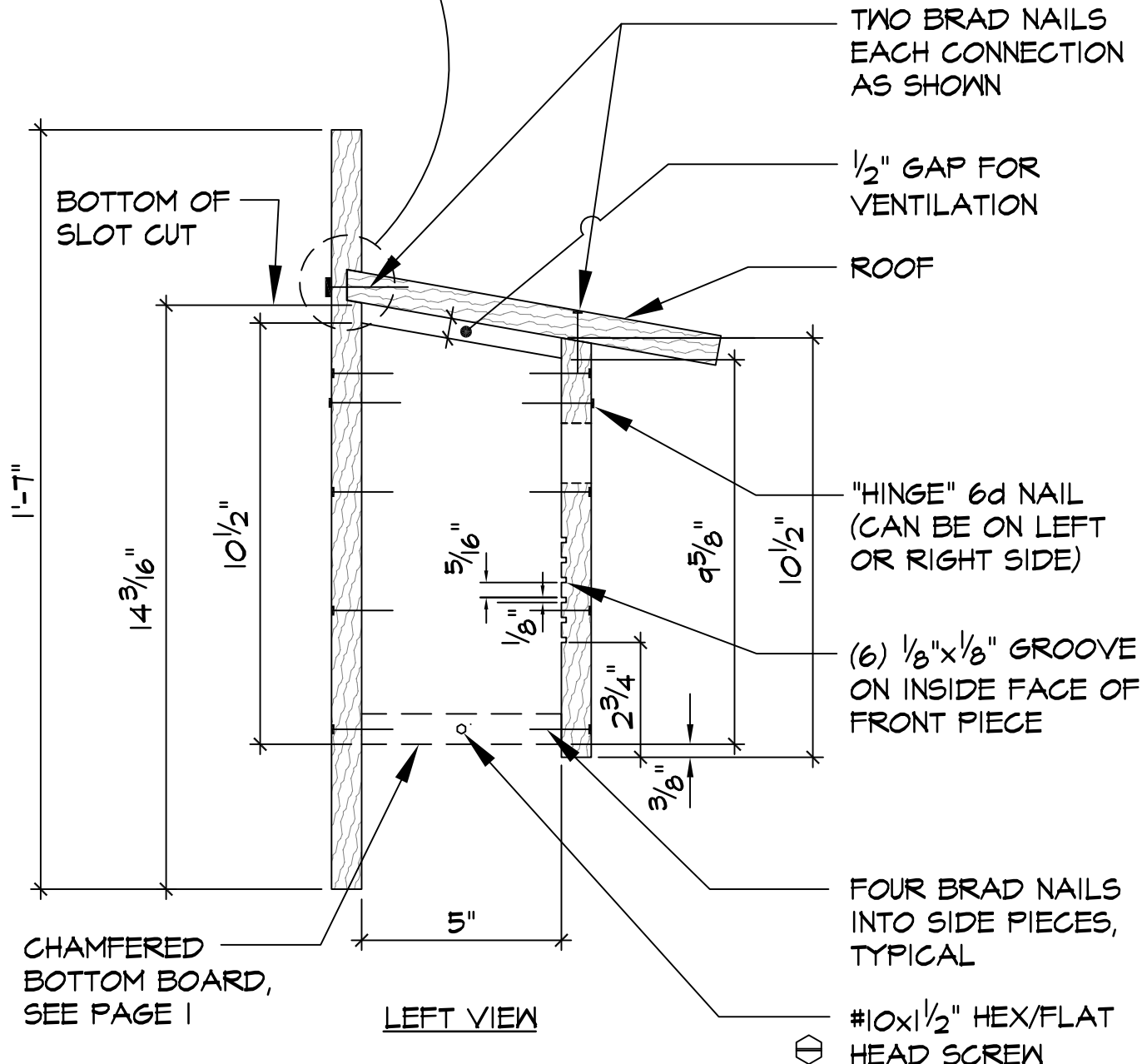




FRONT VIEW

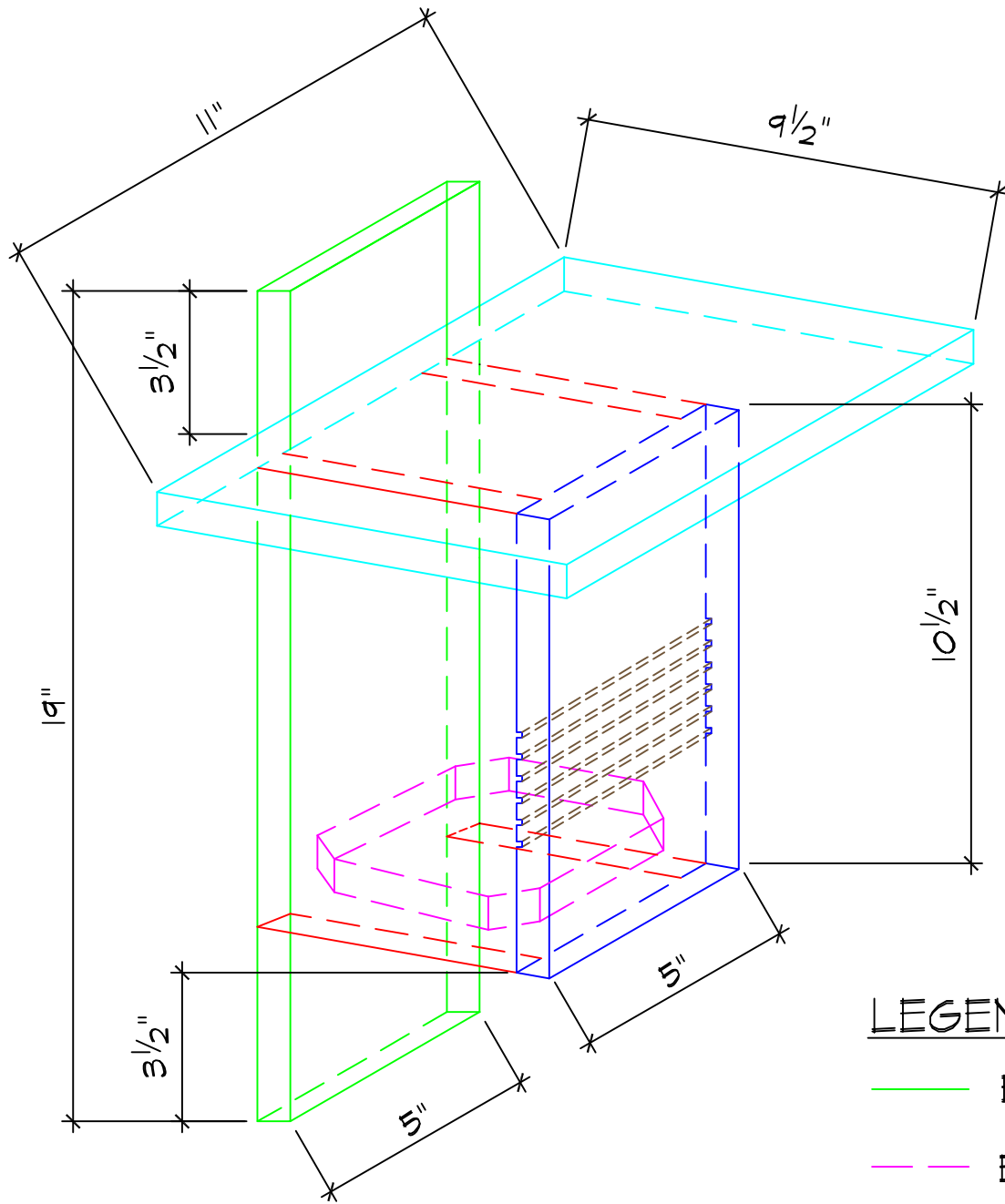


ENLARGED VIEW



LEFT VIEW

California Bluebird Recovery Program <a href="http://www.cbrp.org">www.cbrp.org</a>		SCALE: 3" = 1'-0"	SHEET: 4
The Don Yoder Nest Box	Left View	DATE: Jan. 6, 2025	4 OF 5
			JOB NO.: Brd Box



LEGEND

- BACK
- - - BOTTOM
- FRONT
- - - - - GROOVES
- ROOF
- L & R SIDES

Isometric View

California Blue Bird Recovery Program <a href="http://www.cbrp.org">www.cbrp.org</a>		SCALE: NONE	SHEET: 5	JOB NO.: Bird Box
The Don Yoder Nest Box	Isometric View	DATE: Jan. 6, 2025	5 of 5	